

Panasonic®

Operating Instructions
Bedienungsanleitung
Mode d'emploi
Istruzioni per l'uso
Instrucciones de funcionamiento
取扱説明書

ENGLISH

DEUTSCH

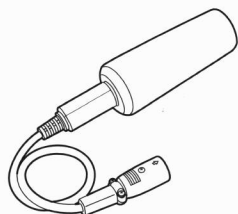
FRANÇAIS

ITALIANO

ESPAÑOL

日本語

Super-directional Electret Microphone
Elektret-Mikrofon mit Super-Richtcharakteristik
Microphone à Électret Superdirectionnel
Microfono Elettretre Superdirezionale
Micrófono Electrostático Superdireccional
超指向性マイクロホン



Model No. **AG-MC200G**

Before operating this product, please read the instructions carefully and save this manual for future use.

Bitte lesen Sie diese Bedienungsanleitung vor der Inbetriebnahme dieses Produkts aufmerksam durch, und bewahren Sie sie für späteres Nachschlagen auf.

Avant d'utiliser l'appareil, lire attentivement ce mode d'emploi, et le conserver à des fins de référence ultérieure.

Prima di far funzionare questo prodotto, leggere attentamente le istruzioni e conservare questo manuale per riferimenti futuri.

Antes de utilizar este producto, lea cuidadosamente las instrucciones y guarde este manual por si tiene que utilizarlo en el futuro.

このたびは、「パナソニック製品」をお買い上げいただき、まことにありがとうございます。

- 取扱説明書をよくお読みのうえ、正しく安全にお使いください。
- ご使用前に「安全上のご注意」(J-1 ページ) を必ずお読みください。
- 保証書は「お買い上げ日・販売店名」などの記入を確かめ、取扱説明書とともに大切に保管してください。

保証書別添付

製造番号は、品質管理上重要なものです。製品本体と保証書の製造番号をお確かめください。

AT0906W1088 -F
Printed in Japan

VQT1B54-1

Notice for the purchaser/user of the apparatus

1. Applicable standards and operating environment

The apparatus is compliant with:

- standards EN55103-1 and EN550103-2 1996.11, and
- electromagnetic environments E1, E2, E3 and E4.

2. Pre-requisite conditions to achieving compliance with the above standards

<1> Peripheral equipment to be connected to the apparatus and special connecting cables

- The purchaser/user is urged to use only equipment which has been recommended by us as peripheral equipment to be connected to the apparatus.
- The purchaser/user is urged to use only connecting cables recommended by us or their equivalent as the optional special cables.

<2> For the connecting cables, use shielded cables which suit the intended purpose of the apparatus.

- Video signal connecting cables
Use double shielded coaxial cables, which are designed for 75-ohm type high-frequency applications, for SDI/SDTI serial digital video signals.
Coaxial cables, which are designed for 75-ohm type high-frequency applications, are recommended for analog video signals.
- Audio signal connecting cables
Use cables designed for AES/EBU serial digital signal transmission for AES/EBU serial digital audio signals.
Use shielded cables, which provide quality performance for high-frequency transmission applications, for analog audio signals.
- Control system connecting cables
Use shielded cables, which provide quality performance for high-frequency transmission applications, as control system connecting cables.

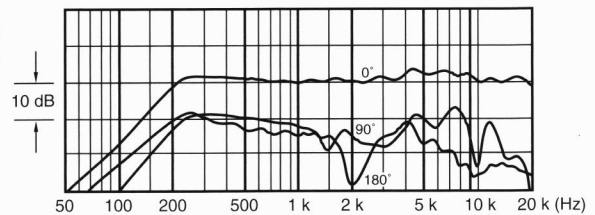
3. Performance level

The performance level of the apparatus is equivalent to or better than the performance level required by these standards.

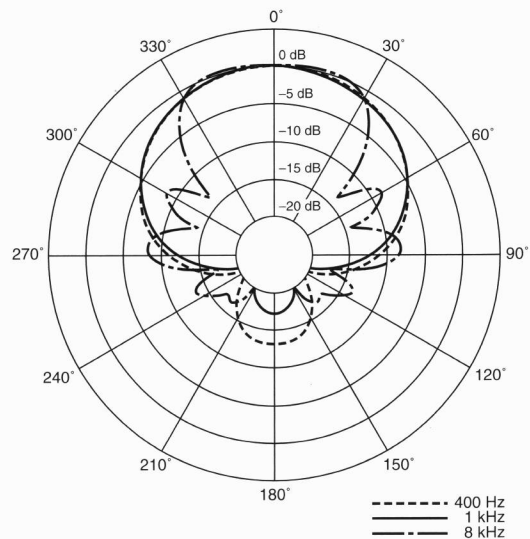
However, the apparatus may be adversely affected by interference if it is being used in an EMC environment, such as an area where strong electromagnetic fields are generated (by the presence of signal transmission towers, cellular phones, etc.). In order to minimize the adverse effects of the interference on the apparatus in cases like this, it is recommended that the following steps be taken with the apparatus being affected and with its operating environment:

1. Place the apparatus at a distance from the source of the interference.
2. Change the direction of the apparatus.
3. Change the connection method used for the apparatus.
4. Connect the apparatus to another power outlet where the power is not shared by any other appliances.

Frequency response Frequenzgang Réponse en fréquence Risposta in frequenza Respuesta en frecuencia 周波数特性



Polar patterns Richtcharakteristik Diagrammes polaires Schemi di polarità Diagrama polar 指向特性



Read this first!

CAUTION:

Do not use power supplies or voltages other than those indicated as this may result in fire or electrical shock.

 indicates safety information.

Information on Disposal for Users of Waste Electrical & Electronic Equipment (private households)



This symbol on the products and/or accompanying documents means that used electrical and electronic products should not be mixed with general household waste.

For proper treatment, recovery and recycling, please take these products to designated collection points, where they will be accepted on a free of charge basis. Alternatively, in some countries you may be able to return your products to your local retailer upon the purchase

of an equivalent new product.

Disposing of this product correctly will help to save valuable resources and prevent any potential negative effects on human health and the environment which could otherwise arise from inappropriate waste handling. Please contact your local authority for further details of your nearest designated collection point.

Penalties may be applicable for incorrect disposal of this waste, in accordance with national legislation.

For business users in the European Union

If you wish to discard electrical and electronic equipment, please contact your dealer or supplier for further information.

Information on Disposal in other Countries outside the European Union

This symbol is only valid in the European Union.

If you wish to discard this product, please contact your local authorities or dealer and ask for the correct method of disposal.

E-1

Features

The AG-MC200G is a super-directional electret microphone developed for camera recorders and other professional applications.

This unit delivers far superior results compared with a regular unidirectional microphone: It excels in terms of sound quality, and when sound from the sides or from behind the microphone is to be blocked out, as when picking up the sounds at sports venues, for instance.

The AG-MC200G has a stabilized power supply circuit built into the grip and uses a DC 48 V capacitor microphone phantom power supply.

Handling precautions

Electret capacitor microphones are easily damaged by high temperatures and humidity. Therefore, take care not to expose the microphone to water or to leave the microphone for extended periods of time near strong lights, exposed to direct sunlight during the summer, or in vehicles with the windows rolled up, etc.


Be sure to use an output cable with balanced connections.

Unbalanced cables (cables which short Pin 2 or 3 to Pin 1) cannot be used.

- See the operating instructions of the camera recorder for a description of mounting methods.

Specifications

Power supply: Phantom power supply, 48 V DC
Current consumption: 2.0 mA (typical)

 indicates safety information.

Type:

Back electret capacitor type microphone

Frequency response:

160 Hz to 20 kHz

Sensitivity:

-40 dB \pm 3.5 dB (0 dB = 1 V/Pa, at 1 kHz)

Maximum input sound pressure level:

127 dB S.P.L. (at 1 kHz, 1% distortion)

S/N ratio (1 kHz/Pa):

69 dB or more

Output impedance:

100 Ω \pm 30% (at 1 kHz)

Output connector:

XLR (3 pins)

Dimensions (diameter \times overall length):

21 mm \times 162 mm (7/8 inch \times 6-7¹/₁₆ inches)

Weight:

Approx. 108 g (0.24 lb) (excluding wind shield)

- Frequency response and polar patterns: See page 3.

Weight and dimensions when shown are approximately. Specifications are subject to change without notice.

E-2